

DOMESTIC INTERLOCKED SOCKET



REFERENCE STANDARDS

IEC 60884-2-6
Plugs and socket-outlets for household and similar purposes.
Part 2-6: Particular requirements for switched socket-outlets with interlock for fixed electrical installations.

VERSIONS

	Without protection
	With fuse
	MCB
	RCBO

TECHNICAL CHARACTERISTICS

Rated current:	10A-13A-16A
Rated voltage:	250 Vac
Frequency:	50 Hz
Insulating voltage:	250 Vac
Fuse:	10A - 250V~
MCB:	16A - 1P+N, C16, 3kA 10A - 1P+N, C10, 3kA
RCBO:	16A - 1P+N, C16, 10mA, 3kA 10A - 1P+N, C10, 10mA, 3kA
Protection degree:	IP56
Operating temperature according to the reference standard:	-15°C +35°C
Maximum operating temperature:	60°C
Glow Wire test:	650°C/850°C (Contact-holder base)
Material:	Engineering plastic
IK Degree at 20°C:	IK08
Colour:	BASE: Grey RAL 7035 COVER: smoke-tinted transparent
Torque terminal screws:	1,3 Nm

BEHAVIOUR WITH CHEMICAL AND ATMOSPHERIC AGENTS

Saline solution	Acids		Bases		Solvents				Mineral oil	UV rays
	Concentrated	Diluted	Concentrated	Diluted	Hexane	Benzol	Acetone	Alcohol		
Resistant	Limited Resistance	Resistant	Resistant	Resistant	Not Resistant	Not Resistant	Not Resistant	Limited Resistance	Resistant	Resistant



AVAILABLE STANDARDS

ITALIAN STANDARD P30 - 16A Shuttered socket CEI 23-50	PLURISTANDARD 16A Shuttered socket	GERMAN STANDARD 16A Shuttered socket DIN VDE 0620	FRENCH STANDARD 16A Shuttered socket NFC 61-314	ITALIAN STANDARD P17/11 - 16A Shuttered socket CEI 23-50	ARGENTINIAN STANDARD - 10A Unshuttered socket IRAM 2071
BRITISH STANDARD - 13A Shuttered socket BS 1363-2	NEW ZEALAND STANDARD - 10A Unshuttered socket AS/NZS 3112	SWISS STANDARD - 10A Unshuttered socket SEV 1011:1998	SOUTH AFRICAN STANDARD - 16A Shuttered socket SANS 164:1 (2006)	INDIAN STANDARD - 6/16A Shuttered socket IS 1293:1988	

APPLICATION EXAMPLES



MBOX Series



OMNIA Series



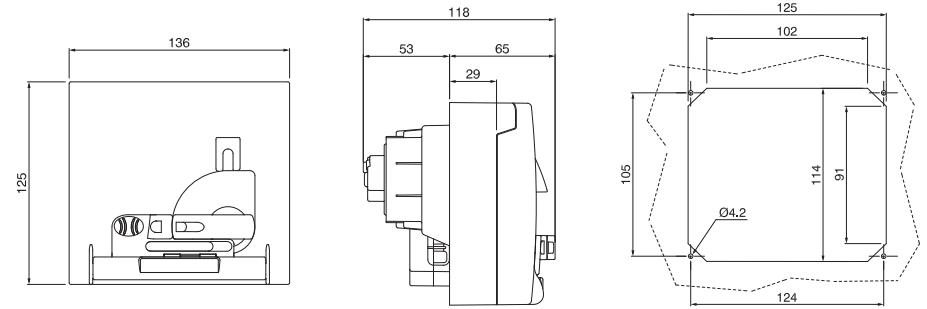
ADVANCE Series



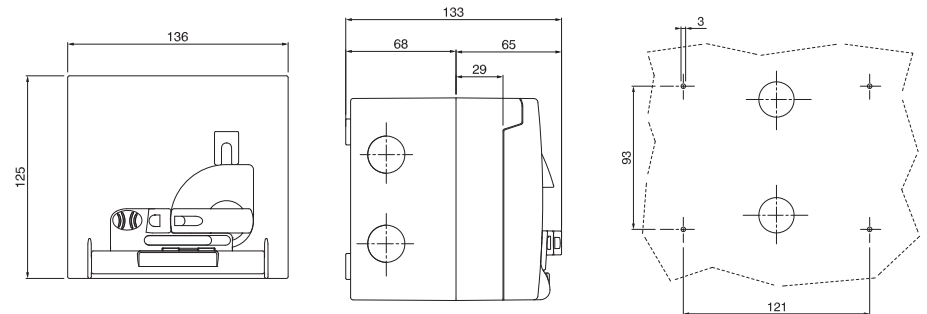
DOMINO Series



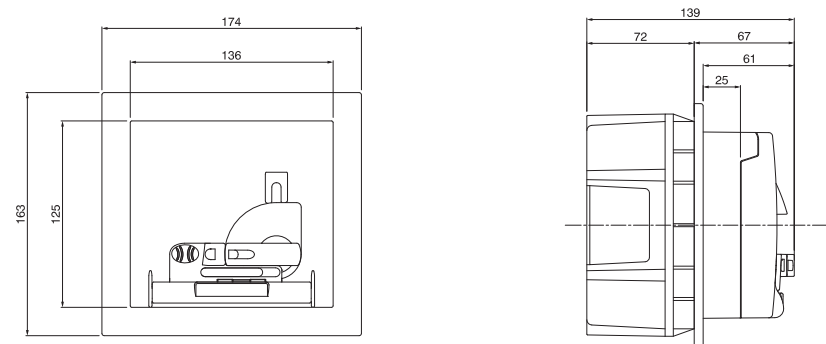
DIMENSIONS



WALL-MOUNTED



FLUSH-MOUNTED



(Dimensions in mm)