

■ LIGHT FITTINGS



■ VERSIONS

	Bulkhead light oval
	Bulkhead light round
	Bulkhead light square

■ REFERENCE STANDARDS

EN 60598-1
Luminaires.
Part 1: general requirements and tests.

EN 60598-2-1
Luminaires.
*Part 2: particular requirements.
Section 1: fixed general purpose luminaires.*

■ QUALITY MARKS



■ TECHNICAL CHARACTERISTICS

Protection degree:	IP44 - IP65
Operating temperature according to the reference standard:	-25°C +35°C
Rated wattage:	Max. 100W
Glow Wire test:	850°C
Grado IK a 20°C:	IK08 - IK10
Cable inlet:	PG9 - PG13,5
Double insulation <input checked="" type="checkbox"/> :	Yes (Class II)
Lampholder type:	E27 - B22
Installation on inflammable surface:	Yes
Material:	Engineering plastic

■ BEHAVIOUR WITH CHEMICAL AND ATMOSPHERIC AGENTS

Saline solution	Acids		Bases		Solvents				Mineral oil	UV rays
	Concentrated	Diluted	Concentrated	Diluted	Hexane	Benzol	Acetone	Alcohol		
Resistant	Limited Resistance	Resistant	Limited Resistance	Limited Resistance	Limited Resistance	Not Resistant	Not Resistant	Resistant	Limited Resistance	Resistant

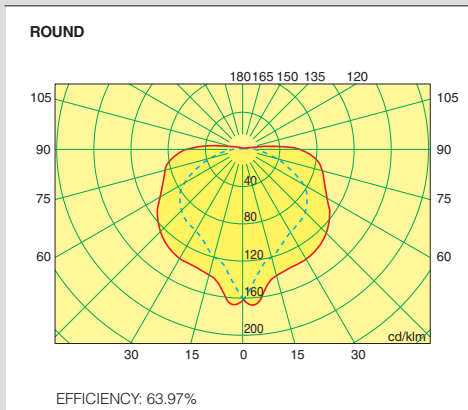
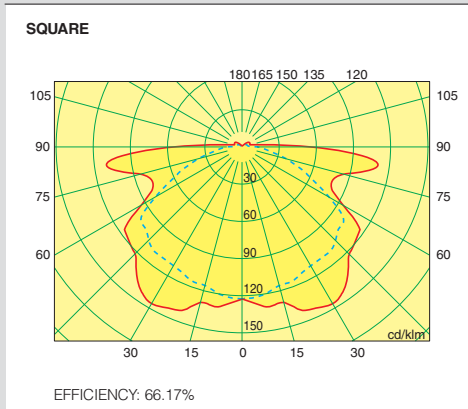
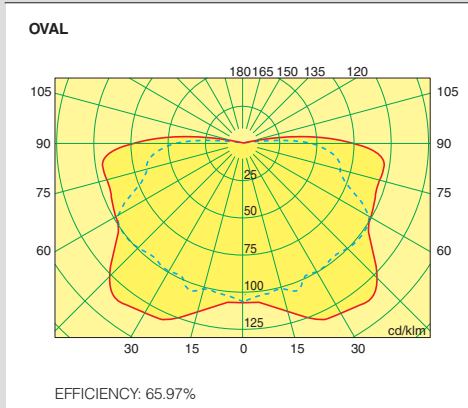
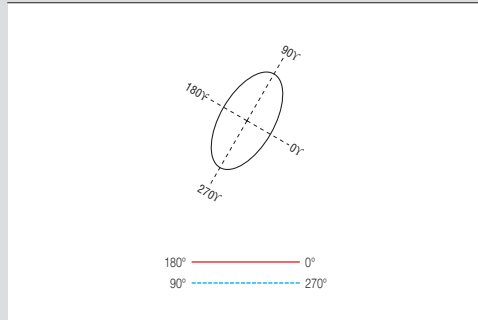
■ APPLICATION EXAMPLES



POLE DIAGRAM

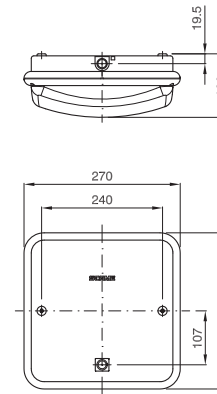
E27 - B22

- Incandescent bulb: 100W E27
- Total flux: 1350 lm



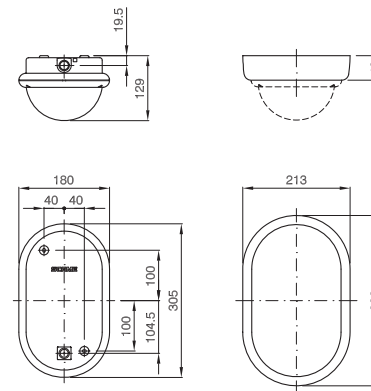
DIMENSIONS

HYDRA Series - Square



Rear

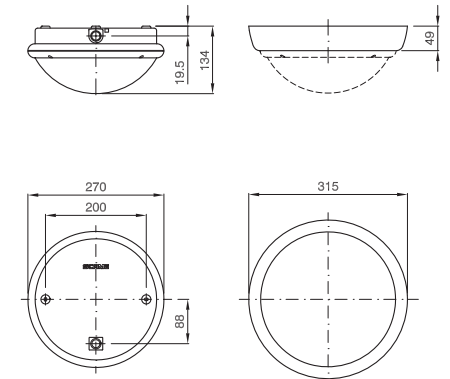
HYDRA Series - Oval



Rear

Frame

HYDRA Series - Round



Rear

Frame

(Dimensions in mm)