

## WEATHER-PROOF ENCLOSURES



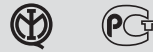
## VERSIONS

	LT enclosure Special high resistance thermoplastic compound.
	MV enclosure Metal 15/10 painted with an epoxy resin suitable for inside use.
	AI enclosure Stainless steel.

## REFERENCE STANDARDS

<p><b>EN 60670-1</b></p> <p>Boxes and enclosures for electrical accessories for household and similar fixed electrical installations. <i>Part 1: general requirements.</i></p>
<p><b>CEI 23-49</b></p> <p>Enclosure for accessories for household and similar fixed electrical installations. <i>Part 2: particular requirements for enclosures for protection devices and accessories dissipating a considerable power in normal use.</i></p>
<p><b>EN 62208</b></p> <p>Empty enclosure for low-voltage switchgear and controlgear assemblies. <i>Part 1: general requirements.</i></p>

## QUALITY MARKS



## TECHNICAL CHARACTERISTICS

Protection degree:	<b>IP65</b>
Operating temperature according to the reference standard:	<b>-25°C +35°C</b>
Max. operating temperature:	<b>60°C</b>
Glow Wire test:	<b>650°C</b>
Material:	<b>Engineering plastic/Metal</b>
IK degree at 20°C:	<b>IK08 (door with window) IK10 (plain door)</b>
Cable inlets:	<b>Blank sides (Engineering plastic) Plate (Metal)</b>
Total insulation <input type="checkbox"/>	<b>Yes</b>
Colour:	<b>Grey RAL 7035</b>

## BEHAVIOUR WITH CHEMICAL AND ATMOSPHERIC AGENTS

Saline solution	Acids		Bases		Solvents				Mineral oil	UV rays
	Concentrated	Diluted	Concentrated	Diluted	Hexane	Benzol	Acetone	Alcohol		
Resiste	Resistenza limitata	Resiste	Resistenza limitata	Resiste	Resiste	Non resiste	Non resiste	Resiste	Non resiste	Resiste

## TYPES

	Dimensions (mm)	rows of	max
Type 1	320x370x210	12 DIN	24 DIN
Type 2	460x370x245	20 DIN	40 DIN
Type 3	460x520x245	20 DIN	60 DIN
Type 4	460x670x245	20 DIN	80 DIN
Type 5	775x715x345	35 DIN	140 DIN

There are 5 cabinets available in the EASYBOX Series, each with three different variations (LT, MV and AI):

## DISSIPABLE POWER

Cabinet	DIN Modules	Set-up with chassis and DIN rail (W)				Set-up with base plate in L3 position (W)	
		LT	MV	AI	LT	MV	AI
Type 1	24 DIN	35	45	30	40	65	40
Type 2	40 DIN	50	60	42	84	105	62
Type 3	60 DIN	58	73	47	100	125	78
Type 4	80 DIN	85	98	63	125	150	94
Type 5	140 DIN	138	155	-	235	280	-

Dissipable power according to Italian standard CEI 23-49

## APPLICATION EXAMPLES





Metal enclosures: stainless steel (AI) and metal 15/10 varnished with epoxy resin (MV) take the same accessories as the (LT) cabinets.

## MODULARITY

The Easy-Box series offers a range of components that are modular and inter-changeable among the different enclosures. Enclosures with the same height or width can be placed above or beside each other, while enclosures of the same width have various components in common - DIN rails, modular plates, panels and accessories.



LT cabinet type 3: set up with 2 DIN rows and half module (blank panel 1/2 module).



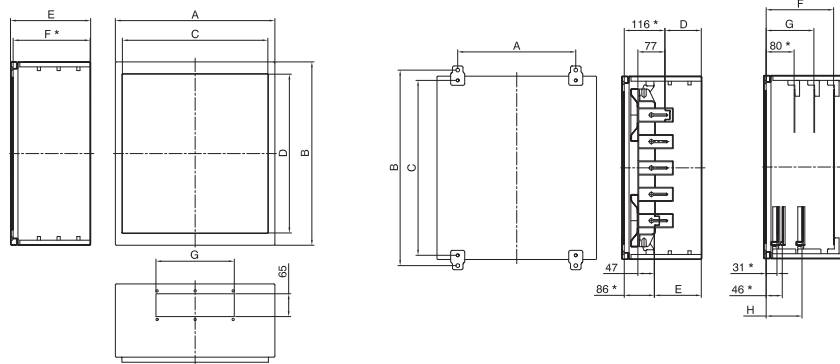
LT cabinet fixing brackets, positioned either horizontally or vertically for MV and AI enclosures.

Setting up with vertical modcb.



## DIMENSIONS

### MV - AI CABINETS



\*Dimensions refer to cabinets with marine window; for cabinets with blank panel increase by 6 mm

#### EXTERNAL AND INTERNAL SIZE

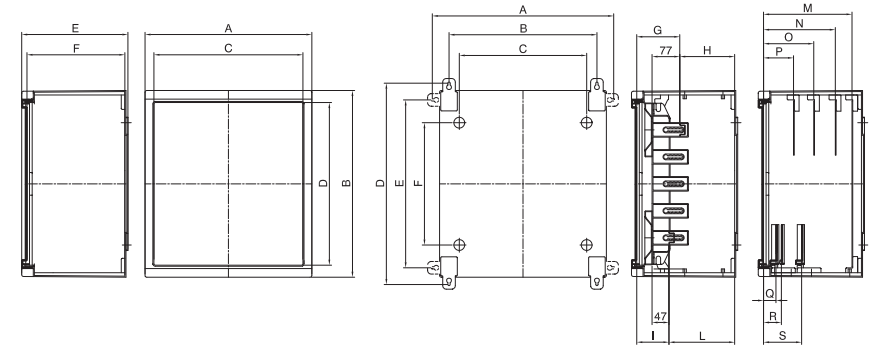
	Type 1	Type 2	Type 3	Type 4	Type 5
A	314	454	454	454	740
B	370	370	520	670	670
C	274	414	414	414	-
D	302	302	452	602	-
E	200	230	230	230	-
F (*)	190	220	220	220	-
G	123	223	223	223	-

#### FASTENINGS, DIN RAILS, PLATES AND INNER DOORS

	Type 1	Type 2	Type 3	Type 4	Type 5
A	196	336	336	336	-
B	408	408	558	708	-
C	348	348	498	648	-
D	74	104	104	104	-
E	104	134	134	134	-
F (*)	177	192	192	192	-
G (*)	121	136	136	136	-
H (*)	-	102	102	102	-

(Dimension in mm)

### LT CABINETS



#### EXTERNAL AND INTERNAL SIZE

	Type 1	Type 2	Type 3	Type 4	Type 5
A	324	464	464	464	755
B	370	370	520	670	714
C	274	414	414	414	685
D	302	302	452	602	600
E	210	245	245	245	345
F	192	222	222	222	310

#### FASTENINGS, DIN RAILS, PLATES AND INNER DOORS

	Type 1	Type 2	Type 3	Type 4	Type 5
A	364	504	504	504	755
B	271	411	411	411	683
C	214	354	354	354	610
D	410	410	560	710	743
E	316	316	466	616	652
F	190	190	190	490	470
G	120	120	120	120	128
H	72	103	103	103	182
I	90	90	90	90	98
L	102	133	133	133	212
M	166	196	196	196	280
N	125	140	140	140	220
O	-	-	-	-	161
P	83	83	83	83	102
Q	34	34	34	34	47
R	49	49	49	49	62
S	-	105	105	105	105

(Dimension in mm)