








# EUREKA Series


## Industrial plugs and sockets






No. REFERENCE SERIES			
<b>211</b>	<b>311</b>	<b>412</b>	<b>512</b>
<b>216</b>	<b>316</b>	<b>417</b>	<b>517</b>
<b>221</b>	<b>321</b>	<b>422</b>	<b>522</b>
<b>226</b>	<b>326</b>	<b>427</b>	<b>527</b>
<b>242</b>		<b>452</b>	
<b>247</b>		<b>457</b>	




VERSIONS	
	Plugs and connectors
	Panel mounting socket outlets – Straight (reduced flange)
	Plugs and connectors – Angled
	Surface mounting socket outlets (straight box)
	Panel mounting socket outlets – 90° angled outlet
	Surface mounting socket outlets (angled box)
	Panel mounting socket outlets – Angled (normal flange)

REFERENCE STANDARDS
Standards: <b>EN 60309-1 (1999)</b> <b>EN 60309-2 (1999)</b>

MARKING
Marking: <b>CE Marking</b> 

QUALITY MARKS
    

TECHNICAL CHARACTERISTICS
Rated current: <b>16A-32A</b>
Rated voltage: <b>100÷690V~</b>
Frequency: <b>c.c. - 50÷500Hz</b>
Insulating voltage: <b>500/690V~</b>
Protection degree: <b>IP44-IP67</b>
Operating temperature according to the reference standard: <b>-25°C+40°C</b>
Max operating temperature: <b>60°C</b>
Glow Wire test: <b>650°C/850°C</b>
Material: <b>Engineering plastic</b>
IK degree at 20°C: <b>IK07/IK09</b>
Cable inlets: <b>Cable sleeve IP44</b> <b>Cable gland IP67</b>

SNAP-ON DEVICE
<p><b>Snap-action opening and closing</b></p> <p>A patented "SNAP-ON" device provides snap-action opening and closing of EUREKA Series plugs and sockets.</p> <p>The "SNAP-ON" device significantly cuts down on wiring time: it opens by pressing down on the spring with a tool and closes simply by twisting the grip or the insert.</p>
<p><b>OPENING:</b></p> <p><i>The device is supplied in the open position: simply twist the insert to open</i></p> 

# EUREKA Series

## Industrial plugs and sockets

No. REFERENCE SERIES			
<b>211</b>	<b>311</b>	<b>412</b>	<b>512</b>
<b>216</b>	<b>316</b>	<b>417</b>	<b>517</b>
<b>221</b>	<b>321</b>	<b>422</b>	<b>522</b>
<b>226</b>	<b>326</b>	<b>427</b>	<b>527</b>
<b>242</b>		<b>452</b>	
<b>247</b>		<b>457</b>	



### CABLING OPERATIONS

#### Cabling capacity of the terminals (mm<sup>2</sup>)

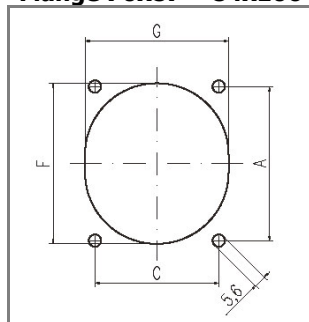
Rated voltage	Rated current (A)	Plugs, connectors and appliance inlets		Socket outlets	
		Min	Max	Min	Max
Over 50V	16A	1	2,5	1,5	4
	32A	2,5	6	2,5	10
50V or less	16A	4	10	4	10
	32A	4	10	4	10

#### Max. cable size accepted by the cable clamp:

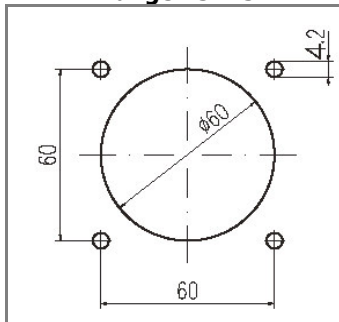
Rated current (A)	Outside Ø mm	
	Min	Max
16A	8	15
32A	11,5	21

### DIMENSIONS

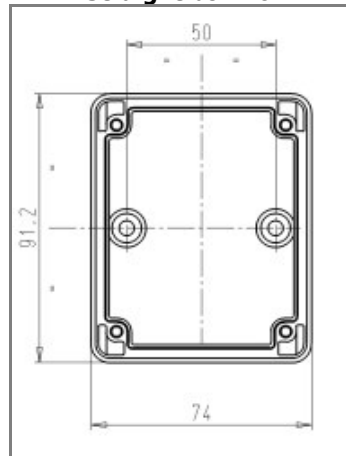
#### Flange 70x87 – 84x106



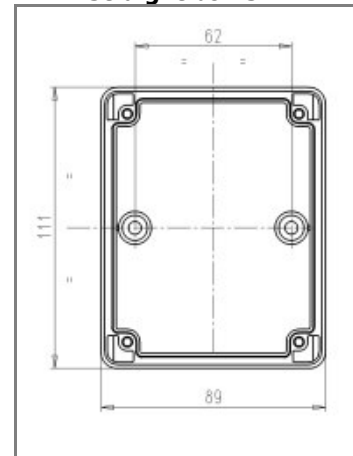
#### Flange 75x75



#### Straight box 16A



#### Straight box 32A



		C	D
16A	2P+E	56	70
	3P+E	56	70
	3P+N+E	56	70
32A	2P+E	68	84
	3P+E	68	84
	3P+N+E	68	84

### BEHAVIOUR WITH CHEMICAL AND ATMOSPHERIC AGENTS

Saline solution	Acids		Bases		Solvents				Mineral oil	UV rays
	Concentrated	Diluted	Concentrated	Diluted	Hexane	Benzol	Acetone	Alcohol		
<b>RESISTANT</b>	<b>LIMITED RESISTANCE</b>	<b>RESISTANT</b>	<b>LIMITED RESISTANCE</b>	<b>RESISTANT</b>	<b>NOT RESISTANT</b>	<b>NOT RESISTANT</b>	<b>NOT RESISTANT</b>	<b>LIMITED RESISTANCE</b>	<b>RESISTANT</b>	<b>RESISTANT</b>